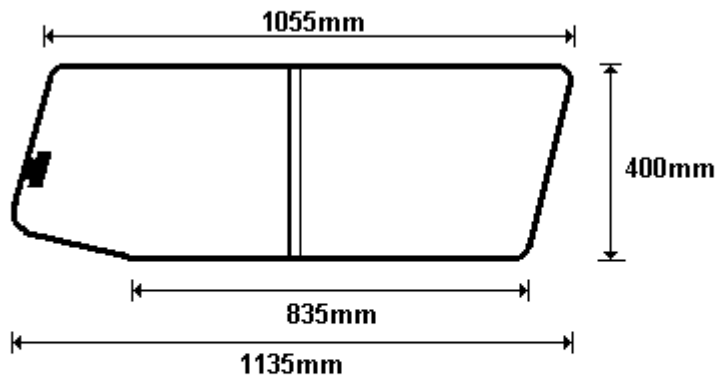


**MILLENIU DOUBLE CAB**  
**CWMILL100G**  
**CWMILL100GR**



**TEMP** CW MILL 100/A 2x9Ø PAR  
**SIZE:** 375x617 (0.23)

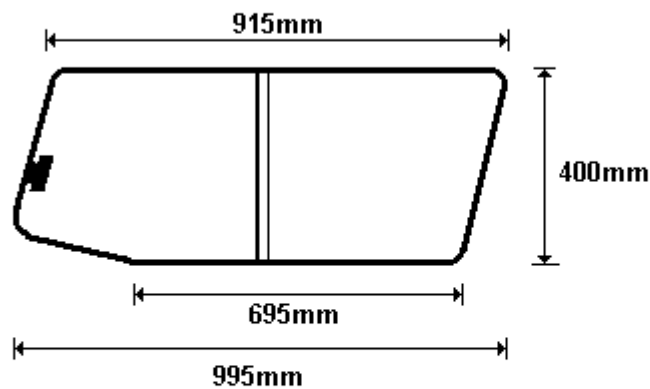
**TEMP** CW MILL 100/B AAR  
**SIZE:** 375x624 (0.23)

General Hinges



(011) 907 1755/6

**MILLENIU HILUX 2002**  
**CWMILL101G**  
**CWMILL101GR**



**TEMP** MILLENIU HILUX/A 2x9Ø PAR  
**SIZE:** 375x547 (0.21)

**TEMP** MILLENIU HILUX/B AAR  
**SIZE:** 375x554 (0.22)

General Hinges



(011) 907 1755/6